

**11E  
4419**

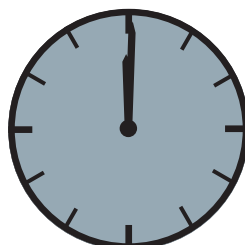
## Toyota Hilux (Revo) Modell 2016

Styling bar 60  
Stylingbügel 60  
Arceau 60



# ASSEMBLY INSTRUCTION

Montageanleitung • Instructions de montage



60 Minuten

**Artikel-Nr:**

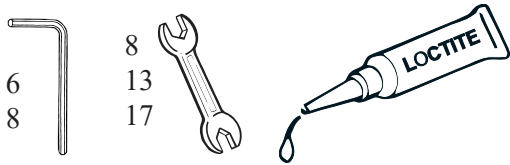
11E4419

11E4419S

11E5419 black steel

Revision 1: 29.09.2016





M5(A2): 5,1 Nm  
 M8(A2): 21,4Nm  
 M10(A2): 44Nm  
 M10: 50 Nm  
 M5: 2Nm

**1** 11E4419.1 1x **bar**  
**2** 11E4419.2\_R / 11E4419.3\_L 2x **bar**  
**3** 11E4226\_R / 11E4227\_L 2x **aperture**

Assembly Kit / Montagesatz / kit de montage 11E9419

**4** 11E5242 2x **bracket**  
**5** 11E5239 2x **bracket**  
**6** 11E5164.1R/11E5164.2L 2x **bracket**  
**7** 11E5163.1R/11E5163.2L 2x **bracket**  
**8** pre-installed 4x **cap**  
**9** 17W5230 4x **bracket**

|          |  |                    |            |
|----------|--|--------------------|------------|
| <b>a</b> |  | M5x20; DIN 933 A2  | <b>8x</b>  |
| <b>b</b> |  | M8x20; DIN 912 A2  | <b>4x</b>  |
| <b>c</b> |  | M10x30; DIN 912 A2 | <b>2x</b>  |
| <b>d</b> |  | M10x40; DIN 933 Zn | <b>2x</b>  |
| <b>e</b> |  | M5; DIN 985 A2     | <b>8x</b>  |
| <b>f</b> |  | Ø8; DIN 127 A2     | <b>4x</b>  |
| <b>g</b> |  | ø5,3; DIN 125 A2   | <b>16x</b> |
| <b>h</b> |  | ø8,4; DIN 125 A2   | <b>4x</b>  |
| <b>i</b> |  | ø10,5; DIN 125 Zn  | <b>2x</b>  |
| <b>j</b> |  | Getowell M5        | <b>8x</b>  |
| <b>k</b> |  | SW8                | <b>16x</b> |
| <b>l</b> |  | SW17               | <b>4x</b>  |

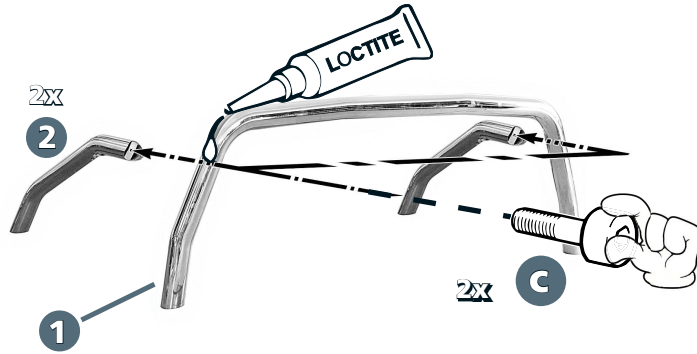


**Artikel-Nr:**  
 11E4419  
 11E4419S  
 11E5419 black steel

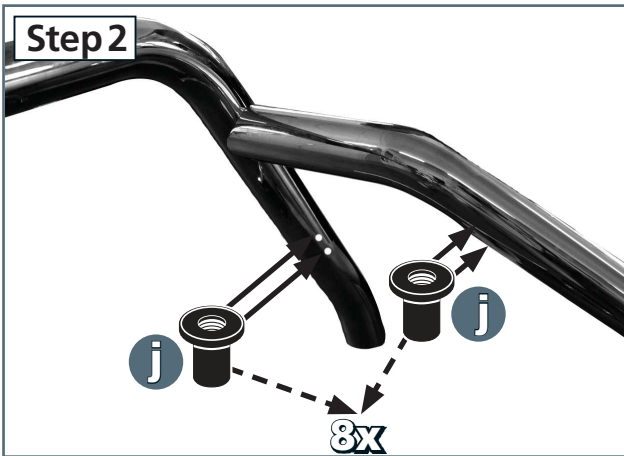
Revision 1: 29.09.2016



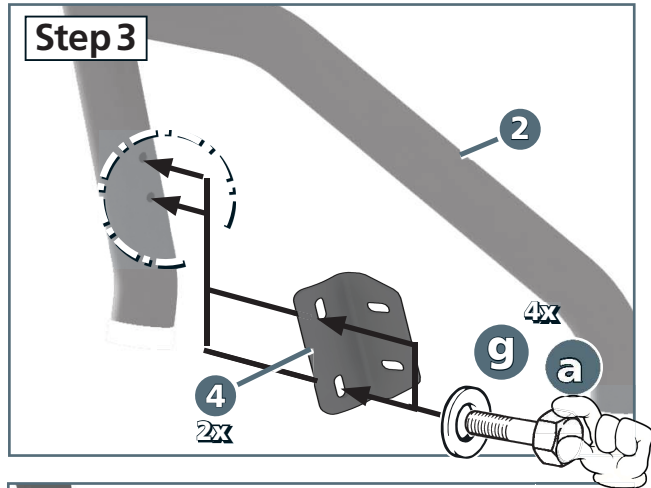
**Step 1**



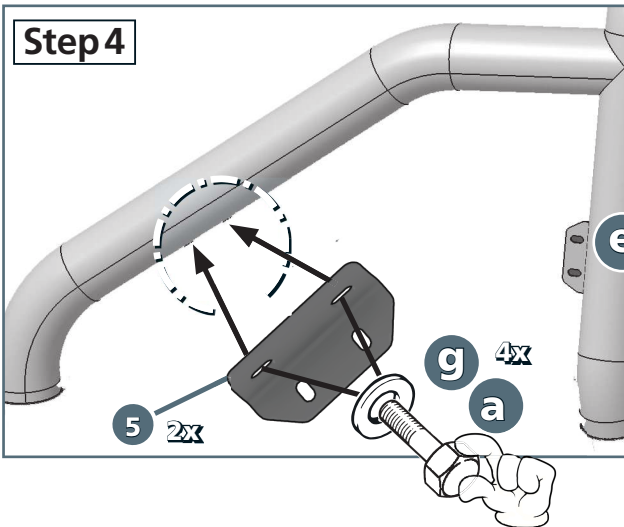
**Step 2**



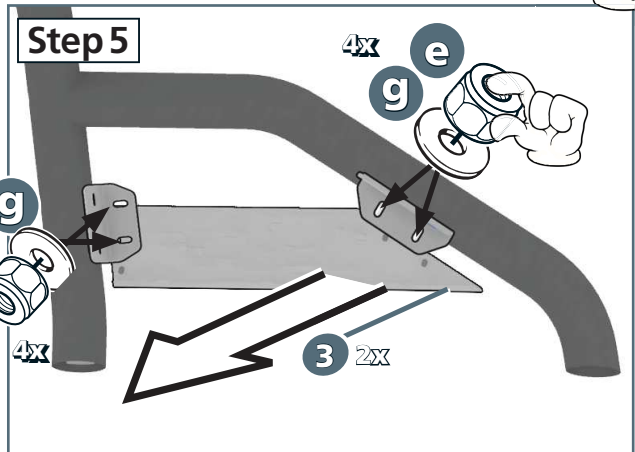
**Step 3**



**Step 4**



**Step 5**



**Step 6**

